

225 SERIES

Horizontal Hold Down Clamps | Product Overview

Features:

- Low profile
- Stainless steel model furnished without plastic grip
- Available DESTACO® Toggle Lock Plus™

Applications:

- Assembly
- Checking fixtures
- Closures
- Woodworking

Also Available:

See page MC-ACC-1 for accessories
Accommodates M8 or 5/16" spindle accessory

Covered under one or more U.S./International Patents

225-U/USS Flanged Base U-Bar



225-UR/URSS Flanged Base U-Bar

DESTACO®
Toggle Lock
Plus



225-UB/UBSS ⓘ Straight Base U Bar



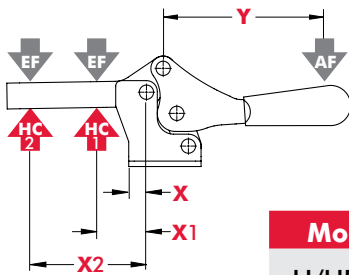
Technical Information

| Model | Max. Holding Capacity | Clamp Bar Opening (+10°) | Handle Opening (+10°) | Weight | Accessories (Supplied) | |
|------------|-----------------------|--------------------------|-----------------------|-----------------|------------------------|-----------------|
| | | | | | Spindle Assembly | Flanged Washers |
| 225-U | 2220 N [500 lbf] | 92° | 70° | 0,25kg [0.55lb] | 225208-M | 507107 |
| 225-USS | 2670 N [600 lbf] | | | | 207943-M | 507907 |
| 225-UR | 2220 N [500 lbf] | | | 225208-M | 507107 | |
| 225-URSS | 2670 N [600 lbf] | | | 207943-M | 507907 | |
| 225-UB ⓘ | 2220 N [500 lbf] | | | 225208-M | 507107 | |
| 225-UBSS ⓘ | 2670 N [600 lbf] | | | 207943-M | 507907 | |

ⓘ This item is available upon request

225 SERIES

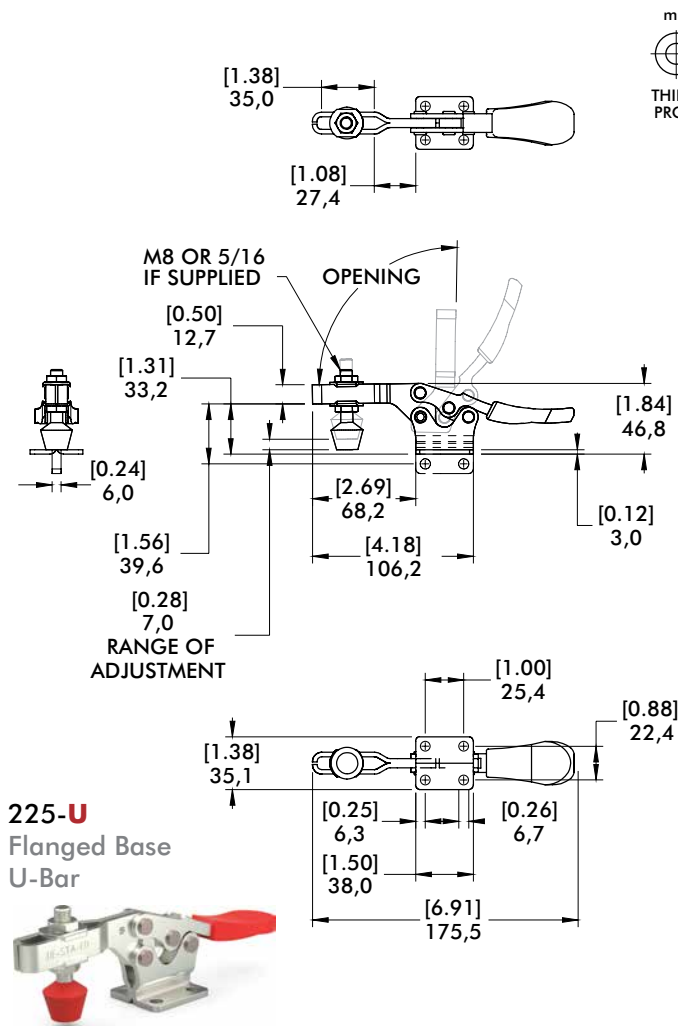
Horizontal Hold Down Clamps | Holding Capacities



| Model | X | X1 | X2 | Y | ±HC1 | ±HC2 | ±EF(X1):AF | ±EF(X2):AF |
|-------------------|--------|--------|--------|--------|--------------------|--------------------|------------|------------|
| U/UR/UB | [0.12] | [1.25] | [2.50] | [3.56] | [500lbf.] 2220N | [250lbf.] 1110N | 12:1 | 5:1 |
| USS/URSS/ UBSS | 3,0 | 31,8 | 63,5 | 90,4 | [600lbf.] 2670N | [300lbf.] 1340N | | |

Dimensions shown "mm [inch]" ± HC = Holding Capacity, EF = Exerting Force, AF = Applied Force
See page MC-TEC-4 for additional information.

Dimensions | -U/-USS/-UB/-UBSS



Dimensions | -UR/-URSS

